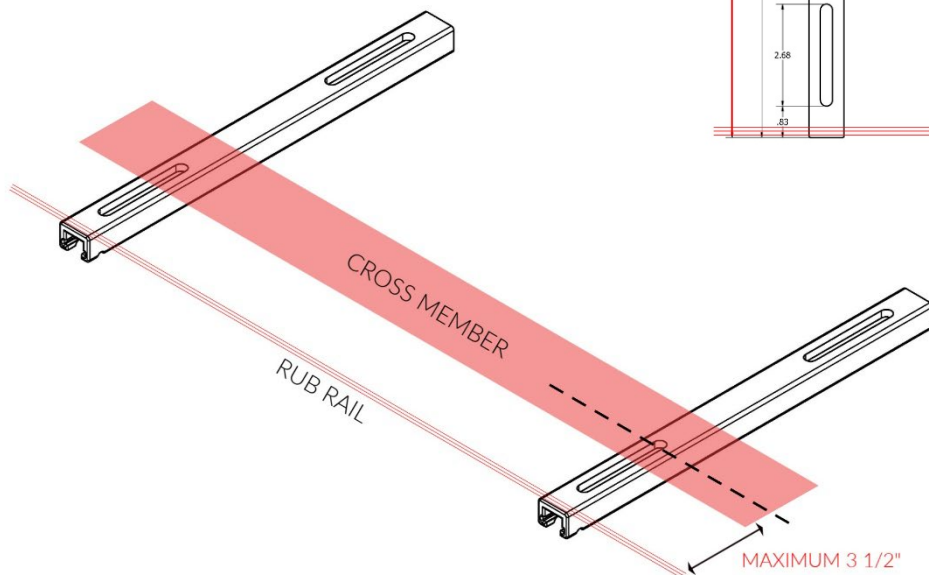
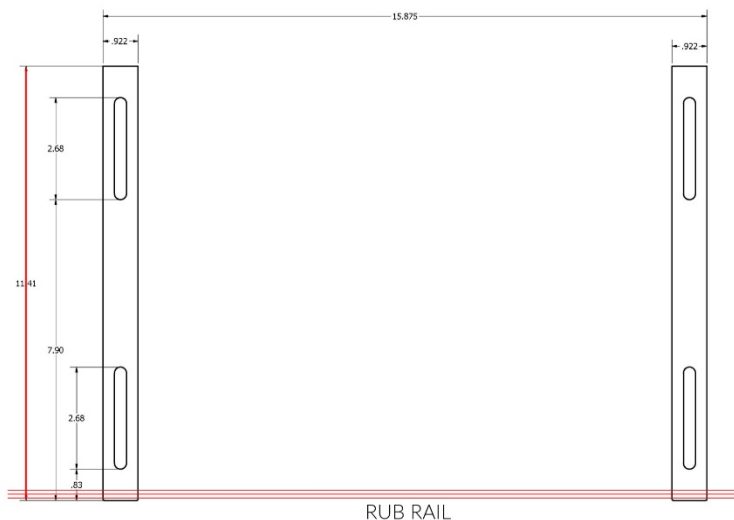


WILL A REVO LADDER FIT ON MY PONTOON BOAT?

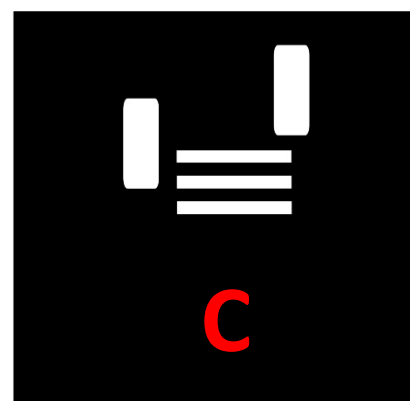
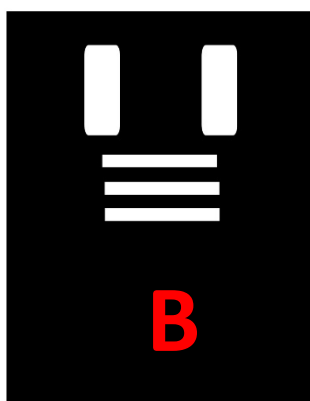
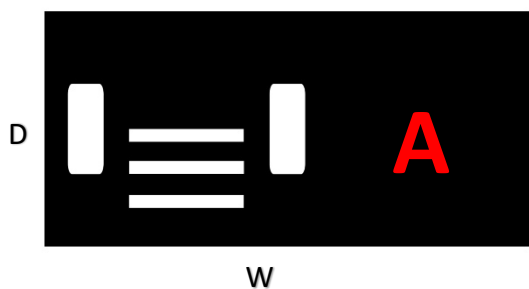
To determine if a REVO Ladder will fit on your boat you must answer "YES" to these three questions:

1. Does the aft deck of your boat extend a minimum of 11 ½" beyond the back of the pontoon?



2. Is the centerline of the outermost crossmember less than 3 ½" from the rub rail?

3. Do you have floor space in your desired mount location for one of the following options?



A: 24 ¼ (W) * 12 ¼ (D) - Both handles on the side

B: 19 (W) * 17 ¾ (D) – Both handles in front

C: 21 ½ (W) * 17 ¾ (D) - One handle on the side and one handle in front

Which mounting kit do I need?

To determine which mounting kit you will need, measure the spread of your boats crossmembers, from centerline to centerline.

Standard Mount Kit: For pontoons with crossmembers that are 7 - 9 ½" apart

Extension Mount Kit: For pontoons with crossmembers that are 9 ½ - 24" apart